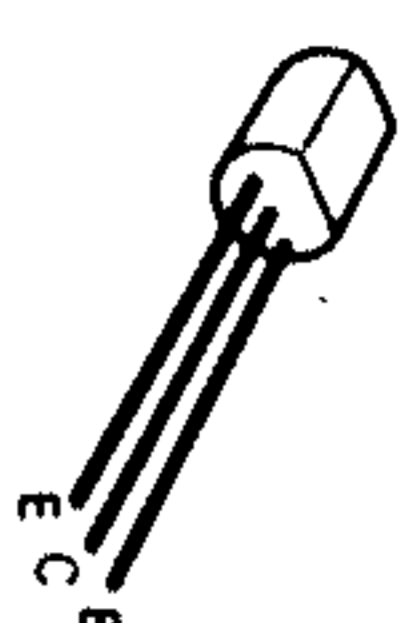
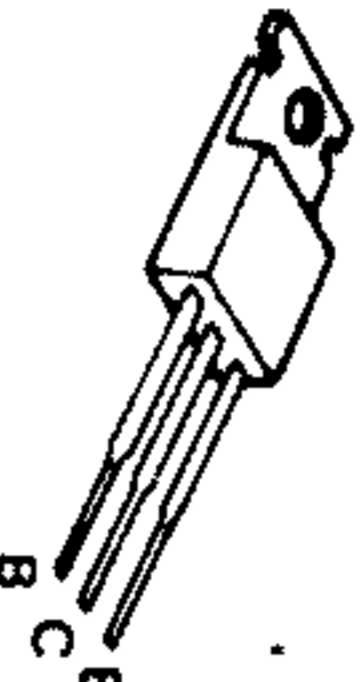


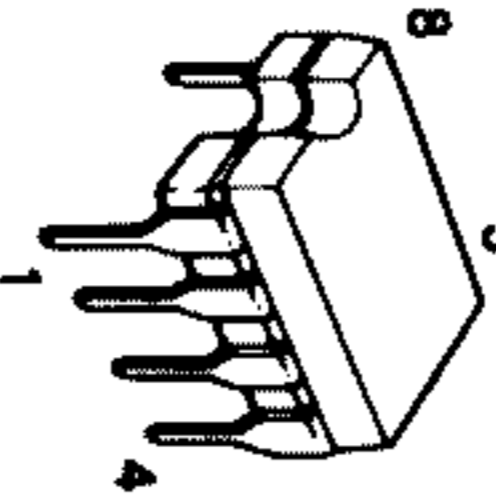
2SA912 2SC945
 2SA921 2SC1845
 2SA954 2SC1885
 2SA992 2SC2003
 2SC2320



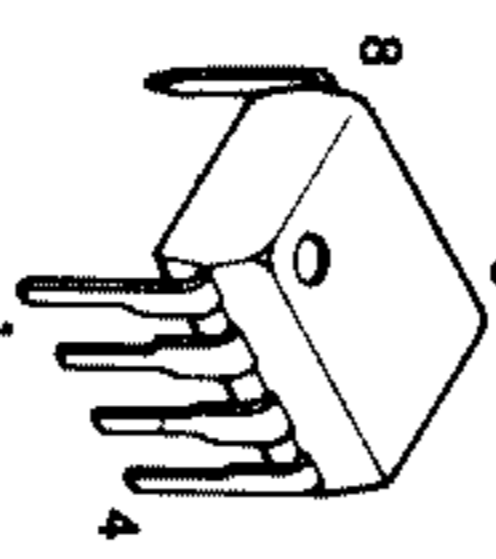
2SD613*1
 2SD743



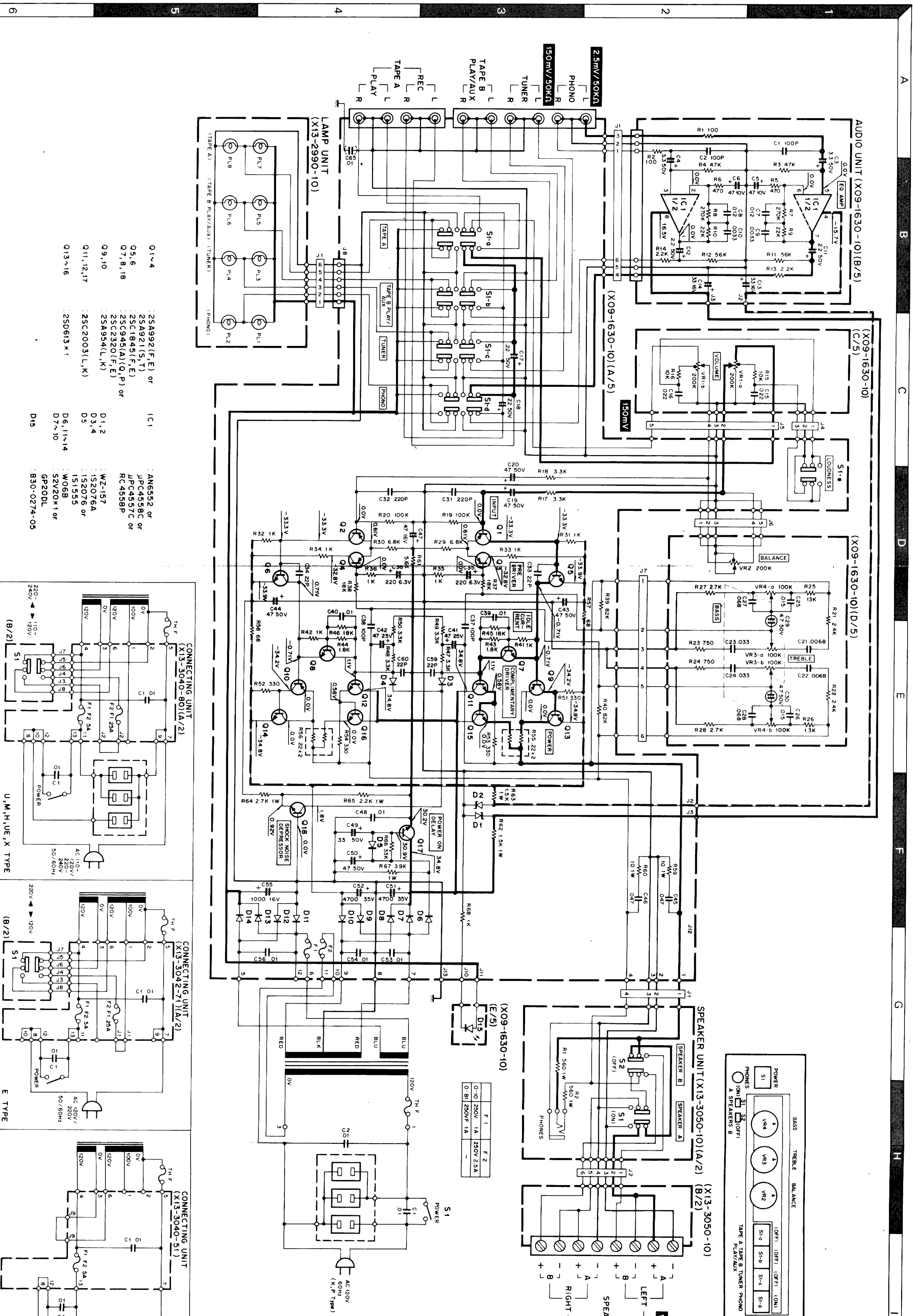
AN6552



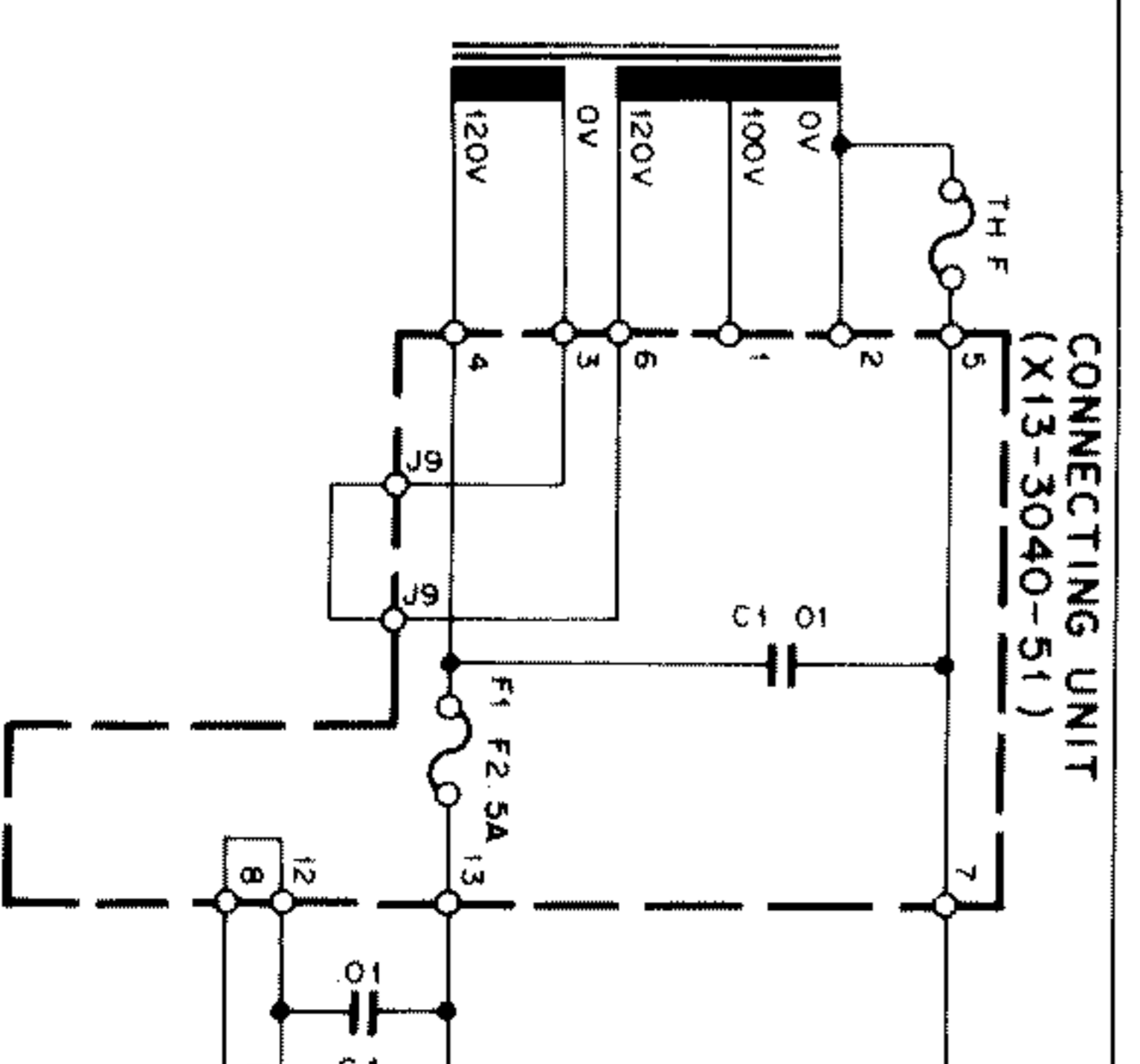
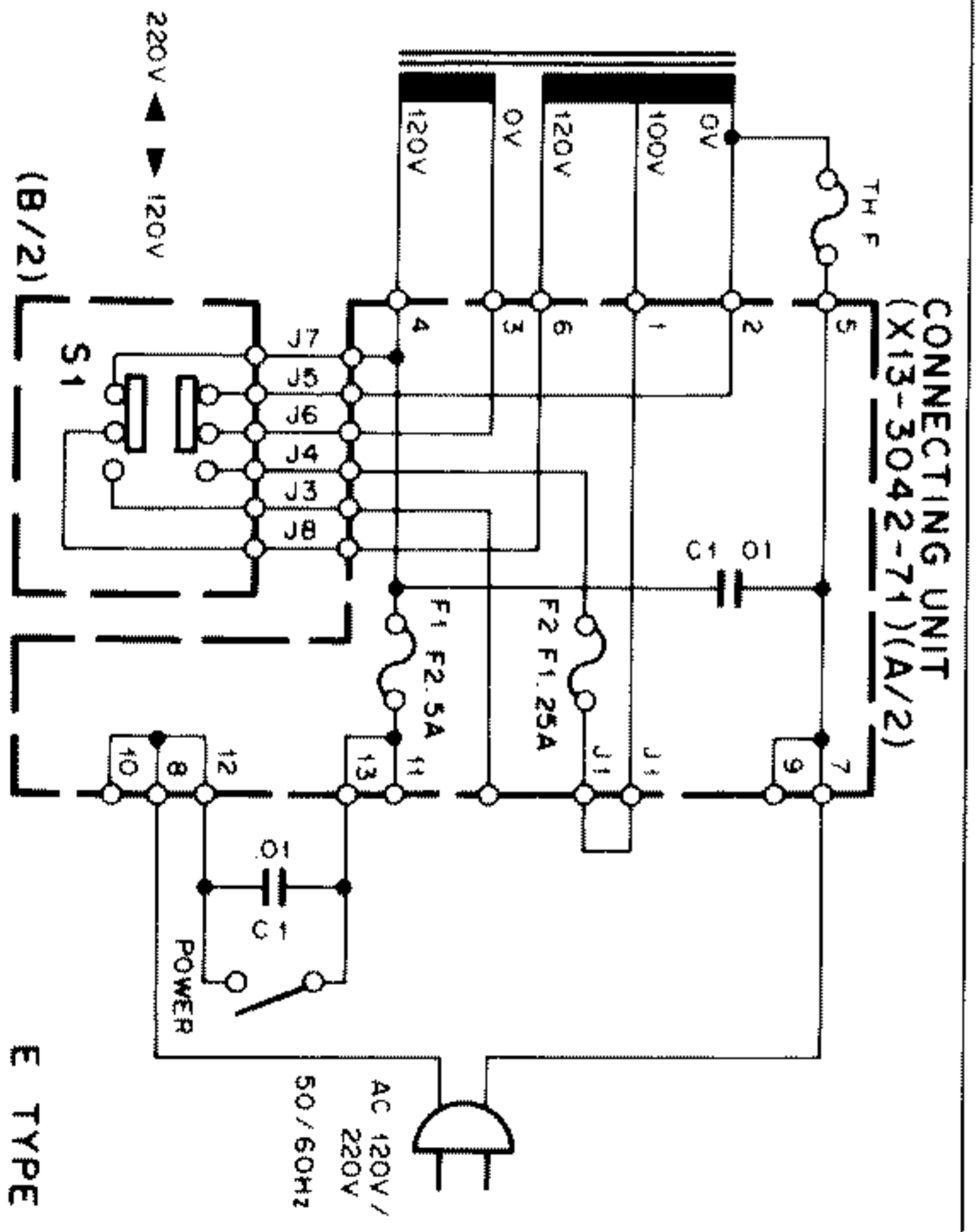
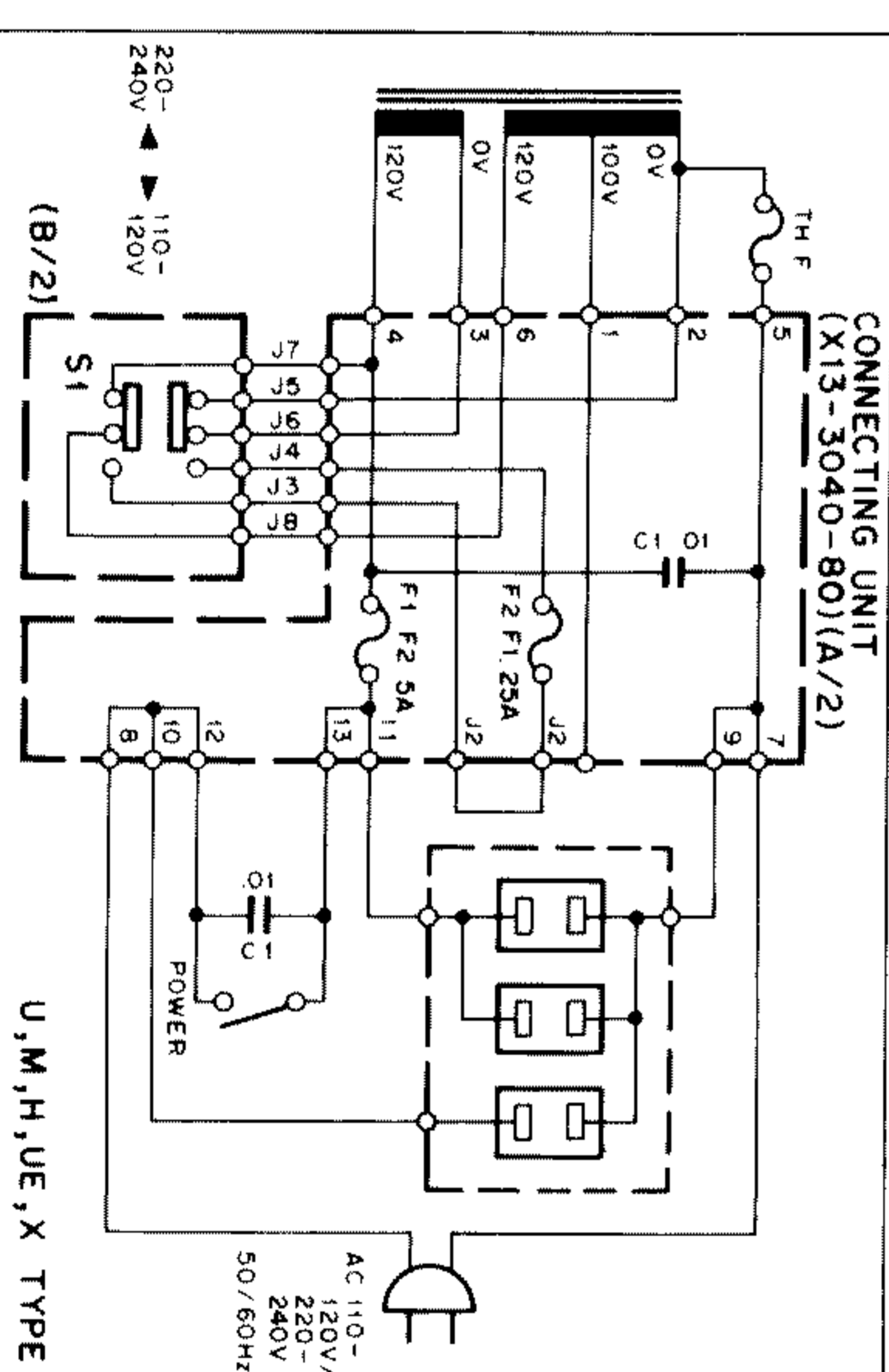
RC4558P
 JPC457C
 JPC4558C



Semiconductor Substitutions	
Name	Substitutions
2SA954(L,K)	2SA912
2SA992(F,E)	2SA921(S,T)
2SC945(A)(Q,P)	2SC2320(F,E)
2SC1845(F,E)	2SC2003
2SC2003(L,K)	2SC1885
2SD613	2SD743
AN6552	JPC4558C JPC4557C RC4558P



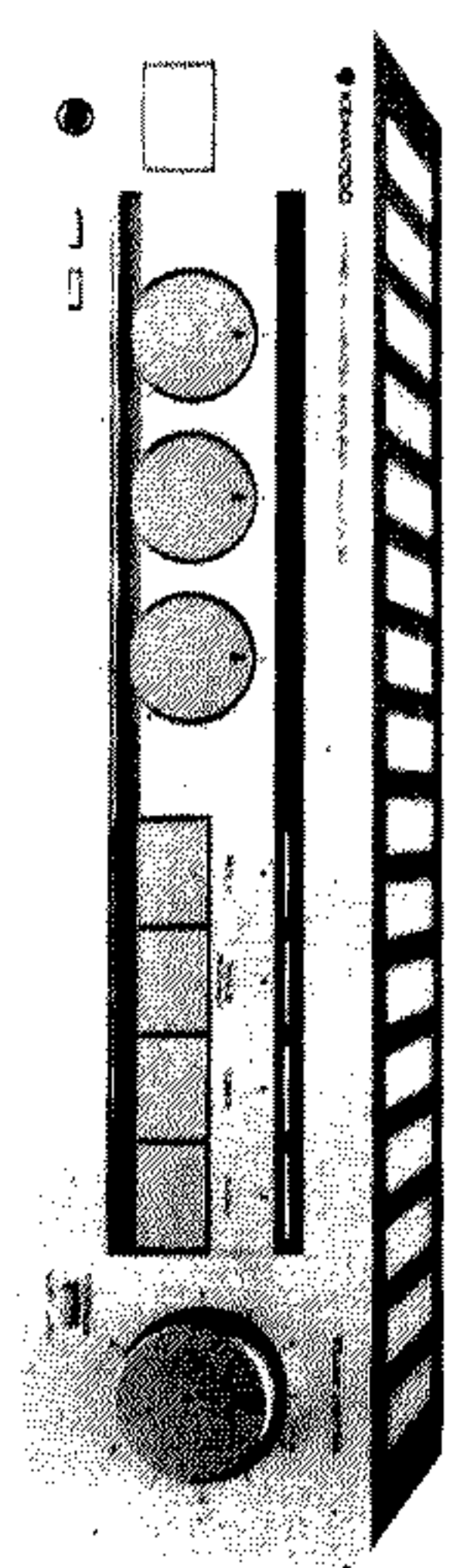
IC1	IC1
01~4	2SA992(F,E) or 2SA921(S,T)
05,6	JPC4558C or JPC457C or RC4558P
07,8,18	2SC945(A)(Q,P) or 2SC2320(F,E)
09,10	2SA954(L,K)
011,12,17	2SC2003(L,K)
013~16	2SD613*1
	D15



DC voltages are measured by a VOM with 25kΩ/V Imp.

INTEGRATED AMPLIFIER

KA-30



SPECIFICATIONS

Power output
25 watts* per channel minimum RMS, both channels driven, at 8 ohms from 20 Hz to 20,000 Hz with no more than 0.09% total harmonic distortion.

Total Harmonic Distortion
AUX input to SPEAKER output
(40 Hz to 20,000 Hz) 0.09% at rated power into 8 ohms
(40 Hz to 20,000 Hz) 0.06% at 1/2 rated power into 8 ohms

PHONO input to SPEAKER output (1 kHz) 0.06% at rated power with VOLUME — 20 dB
into 8 ohms
into 8 ohms

Intermodulation Distortion 0.06% at rated power (60 Hz:7 kHz = 4:1) into 8 ohms

Damping Factor >30 (1 kHz into 8 ohms)
Power bandwidth 20 Hz to 35,000 Hz at 0.2% T.H.D.

Frequency Response 10 Hz to 70 kHz, +0 dB, — 3 dB

Input Sensitivity/Impedance
Phono 2.5 mV/50 k ohms
Tuner/AUX/Tape 150 mV/30 k ohms

Signal-to-Noise Ratio (H/F A)
Phono 72 dB for 2.5 mV input
84 dB for 10 mV input
78 dB for 5.0 mV input

Tuner/AUX/Tape 100 dB for 150 mV input
Phone Maximum Input Level 170 mV (RMS), T.H.D. 0.05% at 1,000 Hz

Output Level/Impedance
Tape REC (lin) 150 mV/2 k ohms
Phono Frequency Response RIAA standard curve +0.3dB (20 Hz to 20,000 Hz)

Tone Control
Bass ±10 dB at 100 Hz
Trebble ±10 dB at 10 kHz
Loudness Control +9 dB at 100 Hz (at — 30dB VOLUME Level)

GENERAL
Power requirements 60 Hz 120 V/U.S.A. & Canada Model or 50/60 Hz 110~120 V/220~240V, switchable

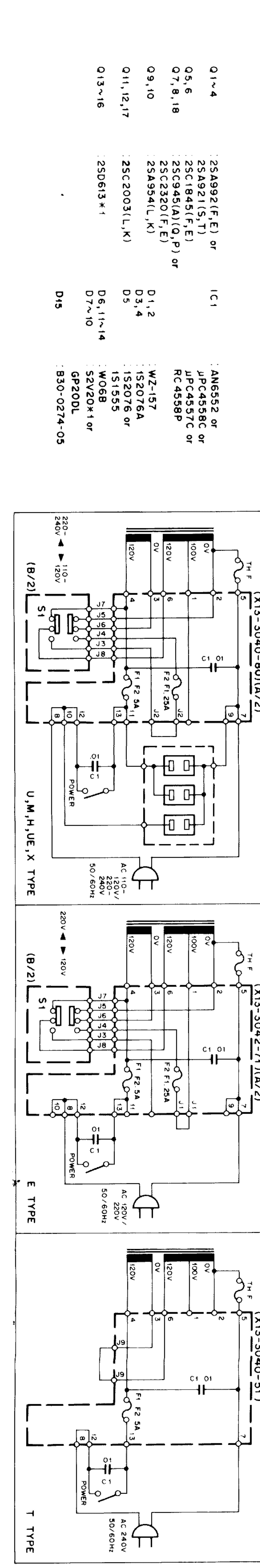
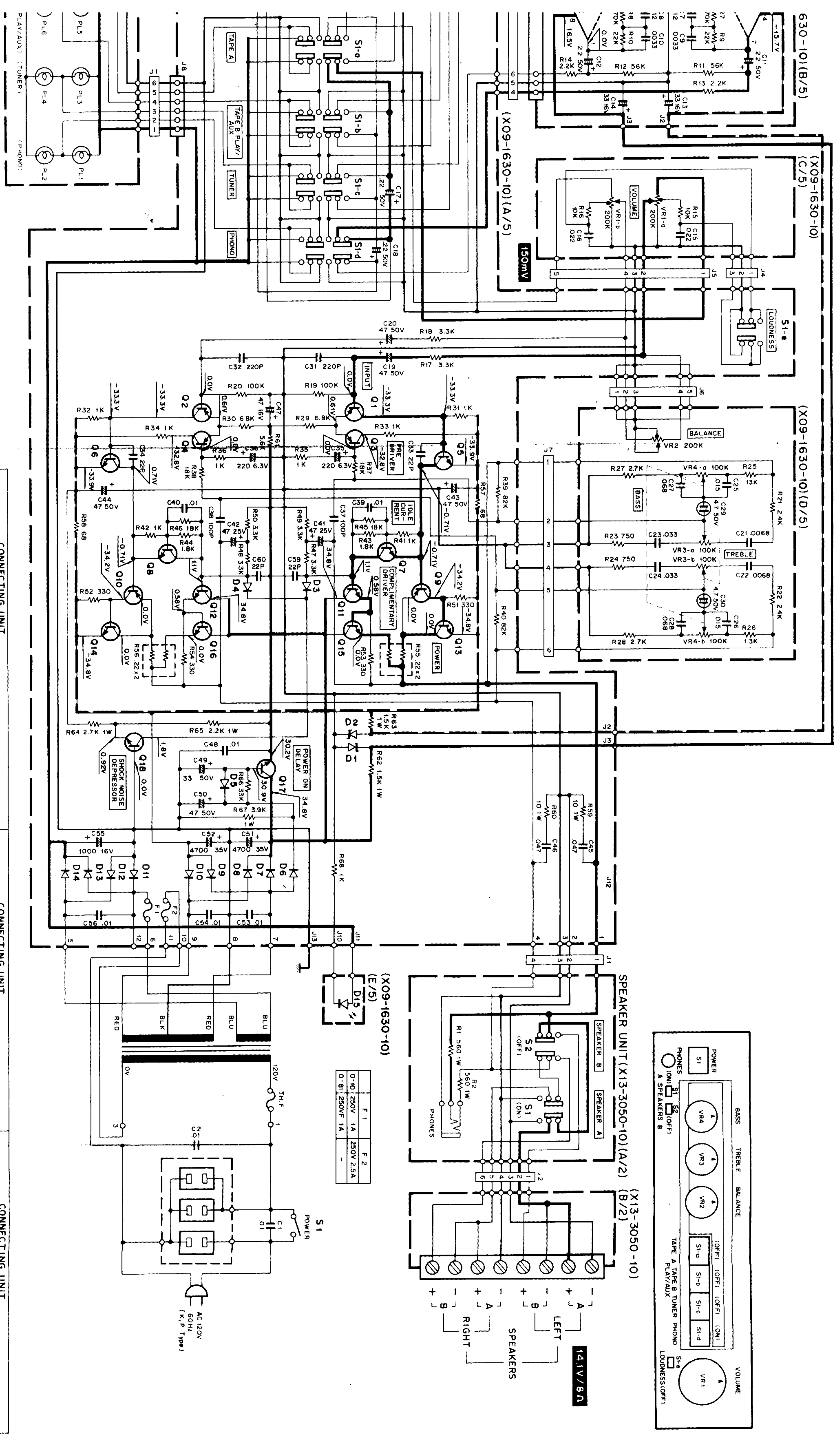
Power Consumption 1.1 A (UL & CSA)
90 W
100 W (8 ohms at rated power)

A.C. Outlet 38 W (No signal)
Switched 2, Unswitched 1

Dimensions W 440 mm (17-5/16")
H 109 mm (4-19/64")
D 249 mm (9-51/64")

Weight 4.5 Kg (9.9 lbs)

Kenwood follows a policy of continuous advancement in development. For this reason specifications may be changed without notice.
Kenwood poursuit une politique de progrès constants en ce qui concerne le développement. Pour cette raison, les spécifications sont sujettes à modifications sans préavis.
Kenwood streeit standige Verbesserungen in der Entwicklung an. Daher bleiben Änderungen der technischen Daten jederzeit vorbehalten.



- | | | | |
|-----------|--------------------------------|----------|---|
| Q1~4 | 2SA992(F,E) or 2SA921(S,T) | IC1 | AN6532 or JPC4558C or JPC4557C or RC4558P |
| Q5,6 | 2SC1845(F,E) | D1,2 | WZ-157 |
| Q7,8,18 | 2SC945(A)(Q,P) or 2SC2320(F,E) | D3,4 | 1S2076A |
| Q9,10 | 2SA954(L,K) | D5 | 1S1555 |
| Q11,12,17 | 2SC2003(L,K) | D6,11~14 | 1S2076 or 1S1555 |
| Q13~16 | 2SD613 *1 | D7~10 | W068 |
| | | D15 | S2V20W1 or GP20DL |
| | | | B30-OZ74-Q5 |

DC voltages are measured by a VOM with 25kΩ/V input impedance.